

Evidence
based implantology

Precision II
OCTA



Tissue Level

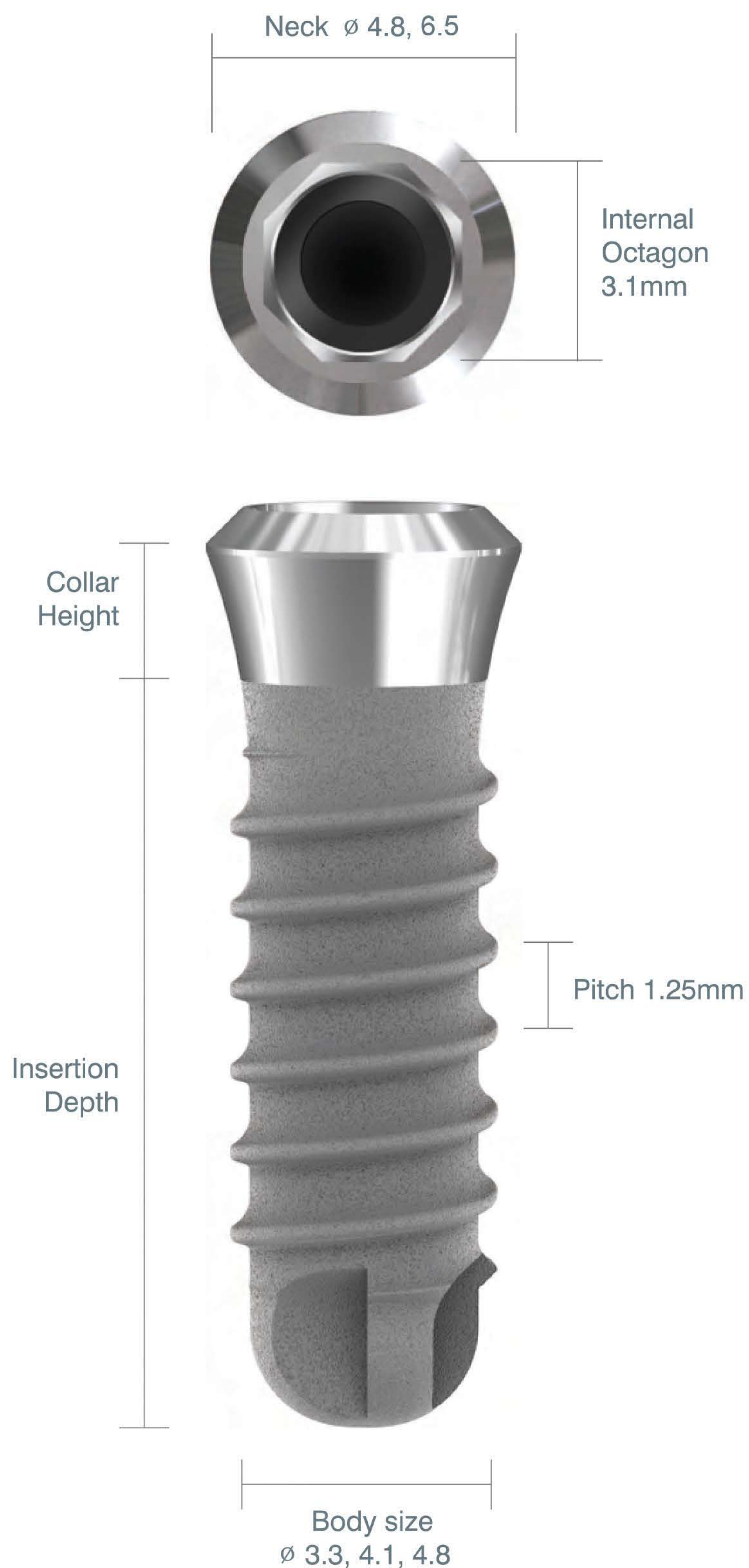
Implant



نوید سلامت مانا
Navid Salamat Mana

Tissue Level Implant

Precision II System SLA Surface



Distinguished Features of Precision II

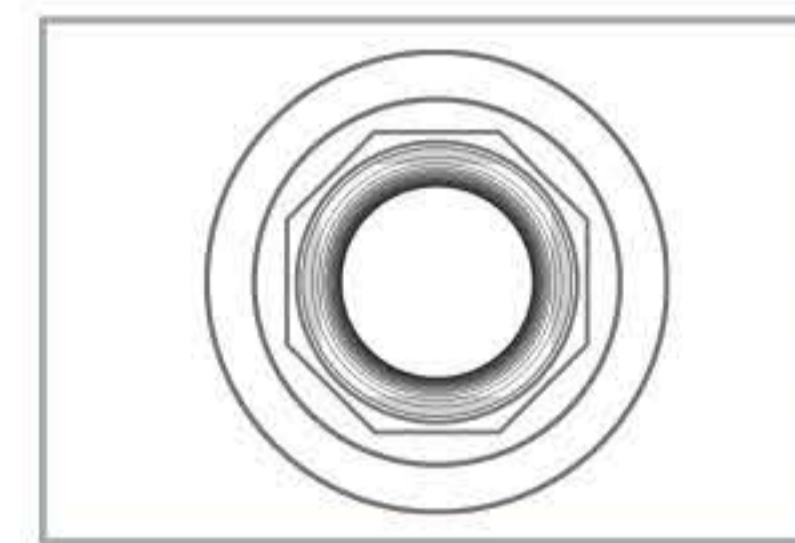
SLA Surface

Excellent Cutting Edge

The self-tapping features make the implant be inserted easily and have the initial stability

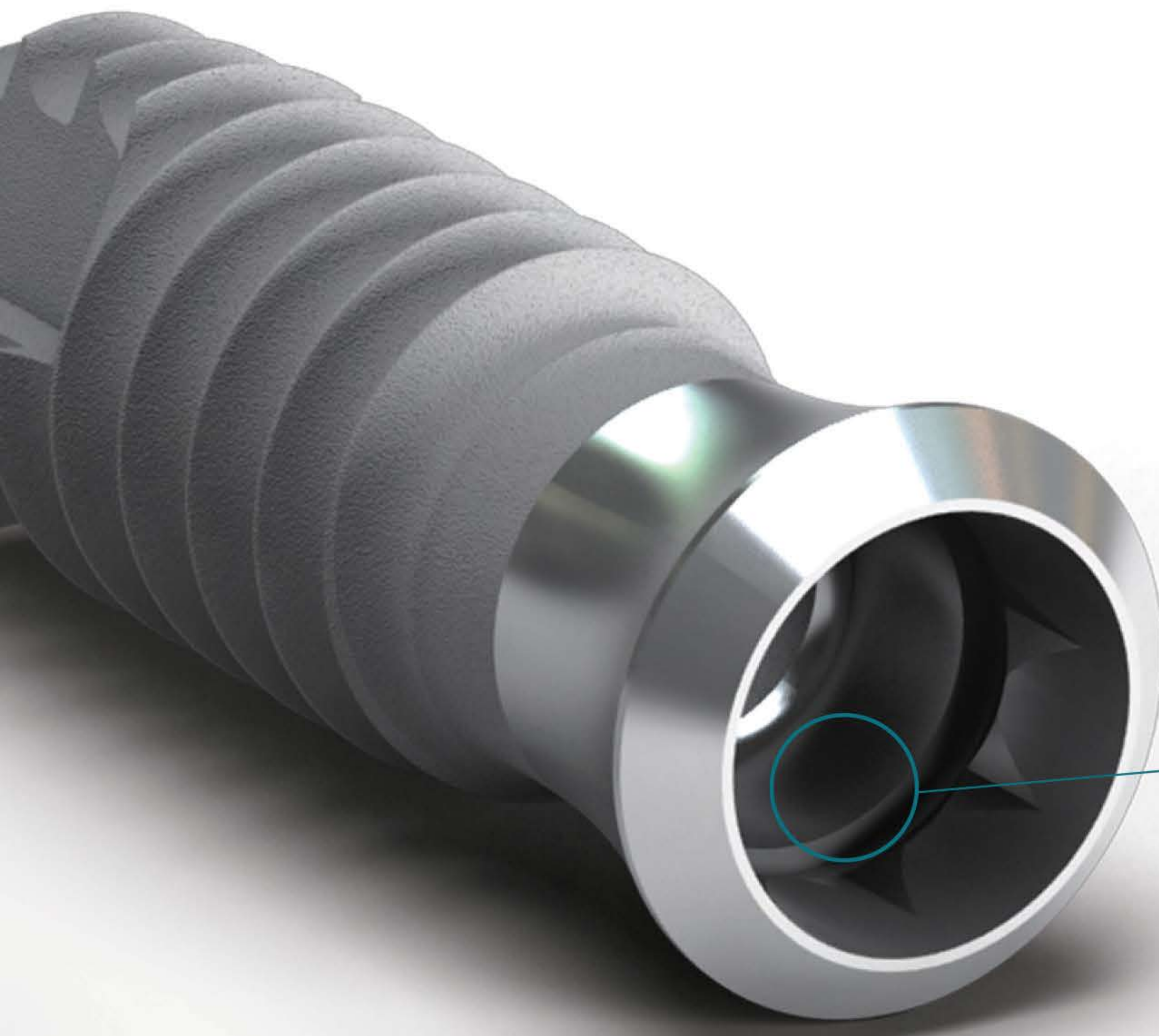
Internal Octagon / 8° Morse Taper Connection

Internal Octagon makes the abutment be placed in its direction and Morse Taper offers the friction locking connection



Mount Free System

Offering reduction of surgery time and providing the clinician with convenience



Comparison of the mechanical degree of precision and fitness

Result of the comparison with the Company "S" and Precision showed that the degree of precision and fitness of Precision fixture and abutment combination is more superior or equal.

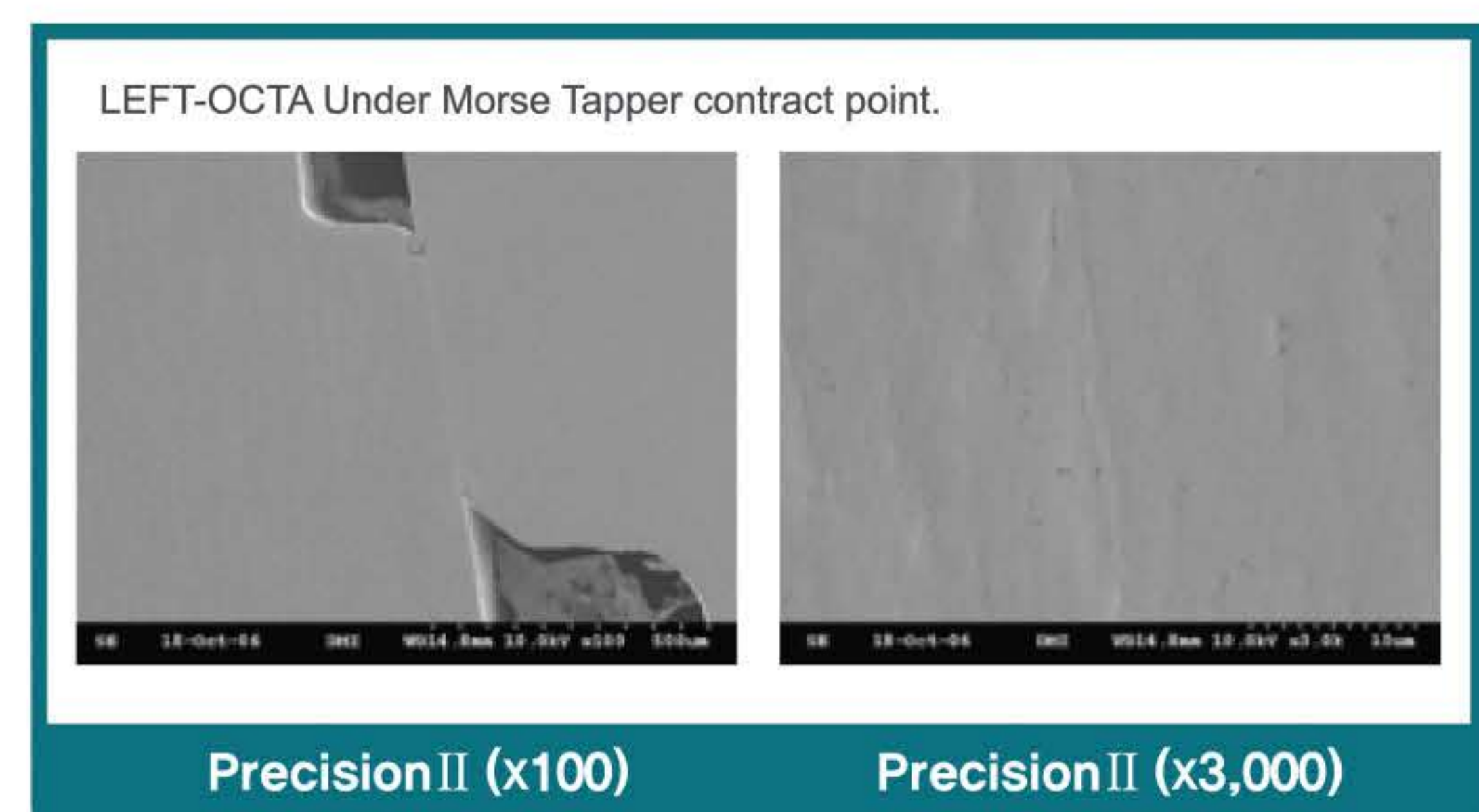
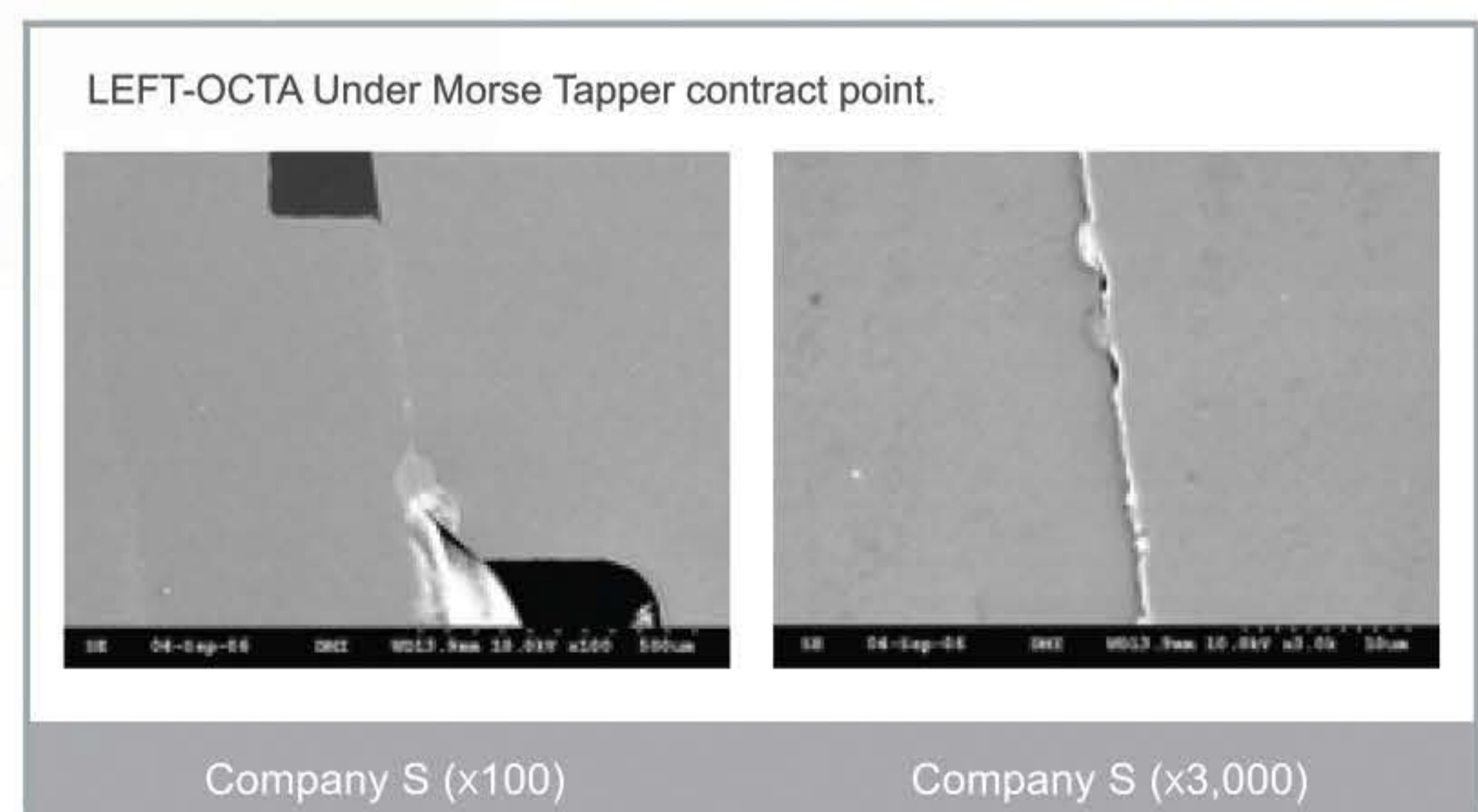
One-Stage

One-Stage surgical operation process



Two Collar Heights

Collar height is divided into 1.8mm, 2.8mm according to various tissue heights



Evidence
IMPLANT

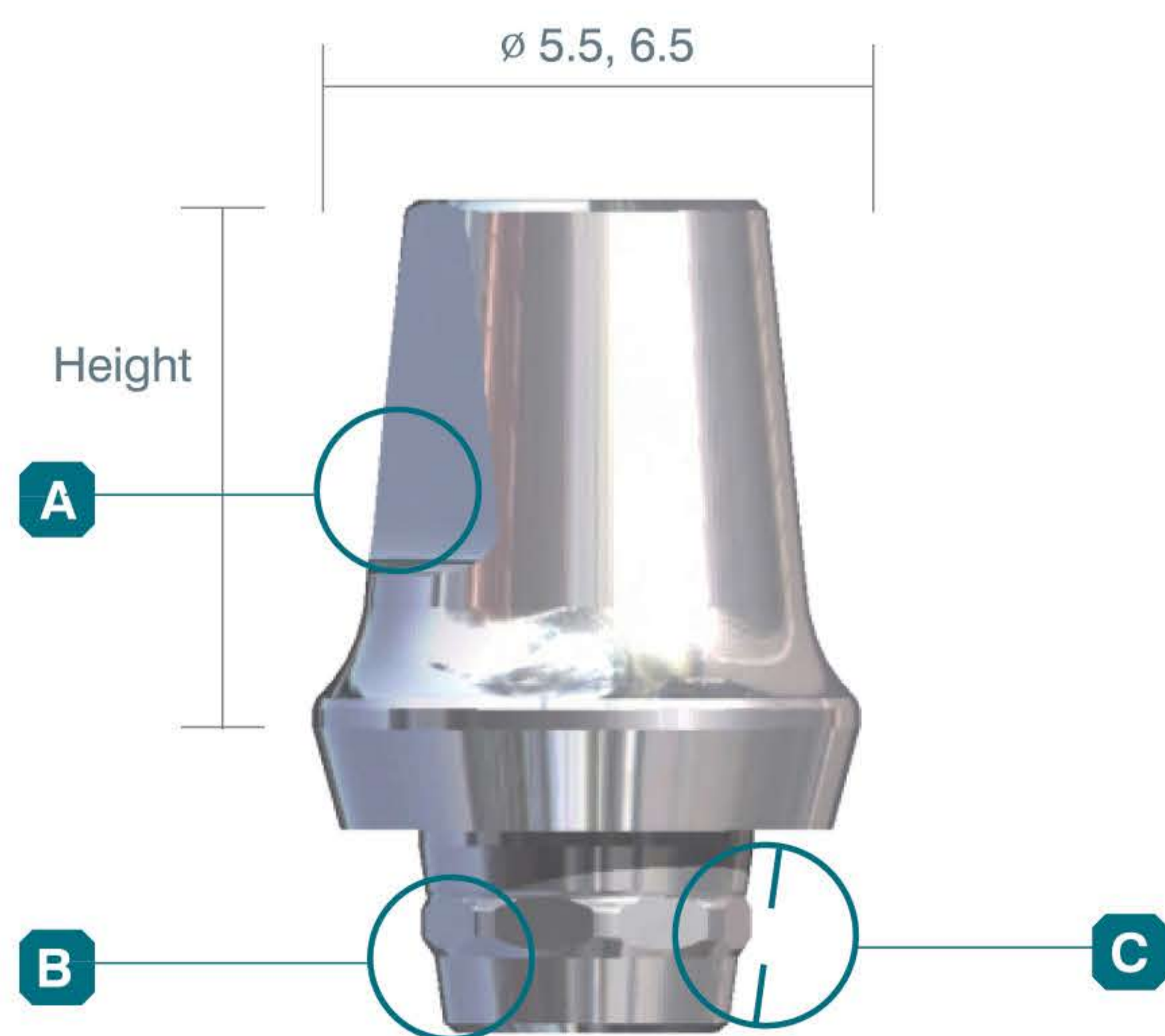
Aboutments Tissue Level



- Triangle Cut
- Indexed octagon connection
- Morse taper

Abutment Series

EpDuo Abutment (for Precision II Implant)



A Triangle Cut

Reinforces bonding and prevents the crown from rotating

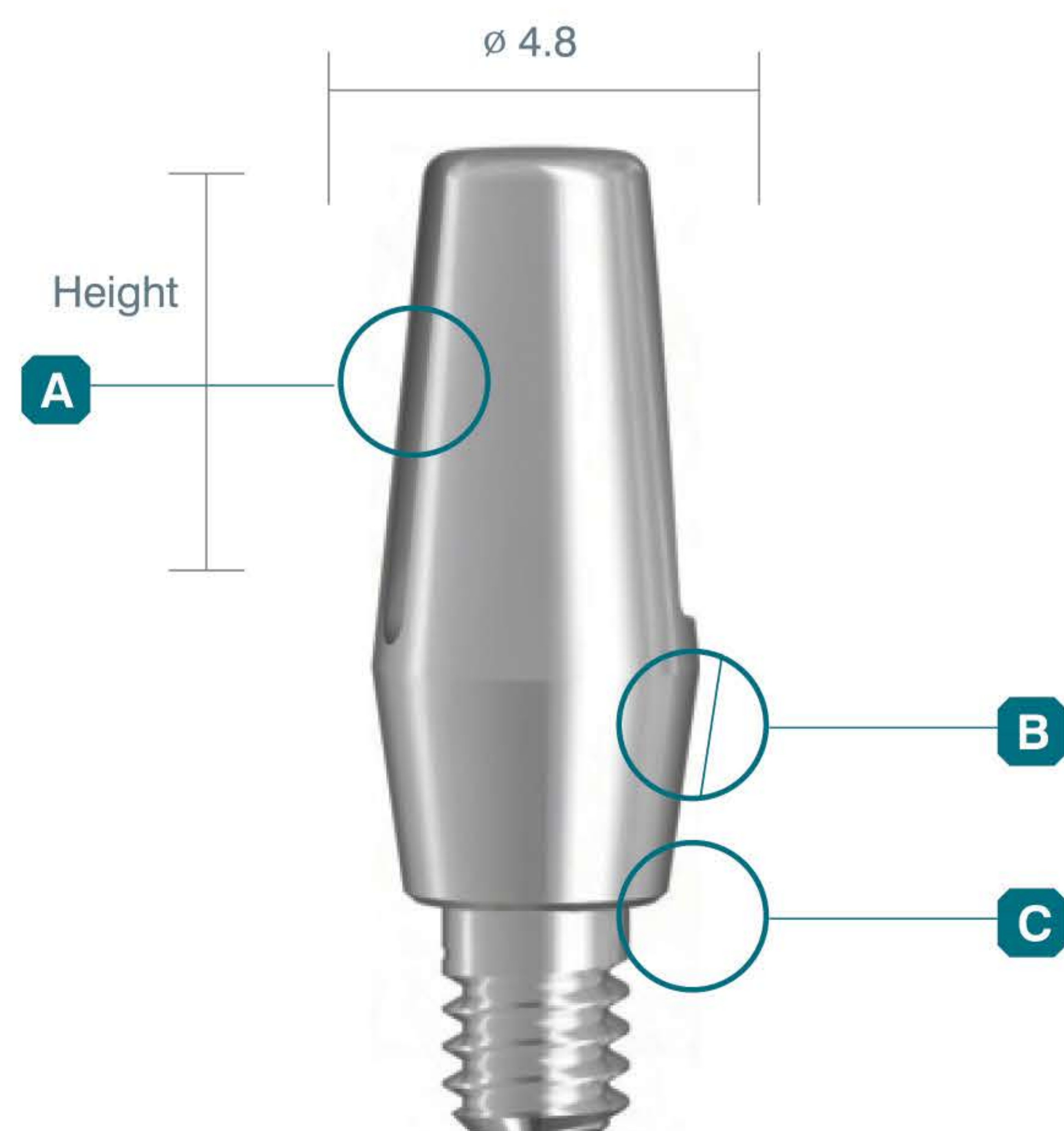
B Indexed Octagon Connection

Octagon connection prevents the abutment from rotating and makes it be placed easily in its direction

C Morse Taper

Morse taper connection between the implant and the abutment offers the friction locking and sealing

Solid Abutment (for Precision II Implant)



A Triangle Cut

Reinforces bonding and prevents the crown from rotating

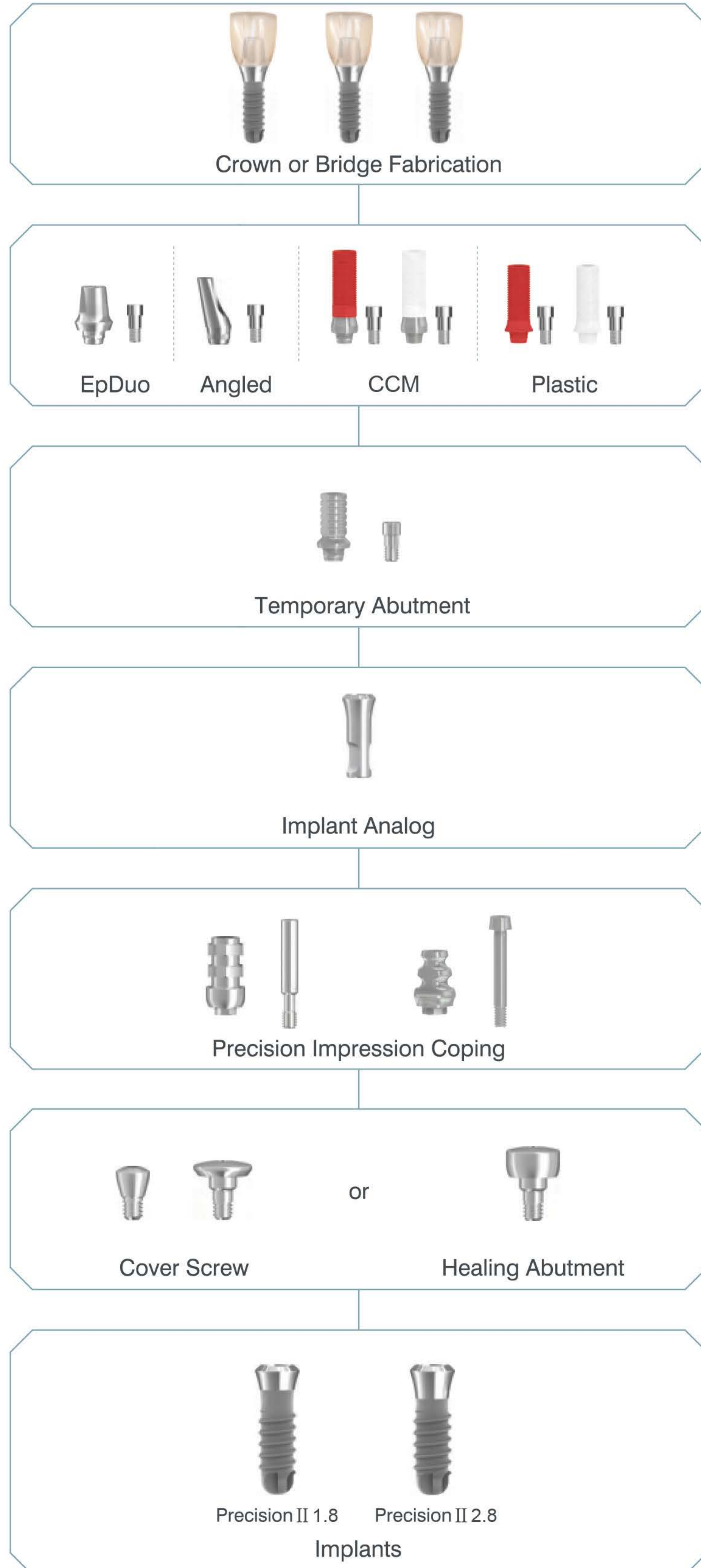
B Morse Taper

Morse taper connection between the implant and the abutment offers the friction locking and sealing

C One Piece Abutment

Abutment & Prosthetic Options

Flow Chart _ EpDuo / Angled / CCM / Plastic



Fixture Size 1.8mm collar

(unit : mm)

Neck Diameter	Collar	Body Size ϕ	Insertion Depth	Code	
4.8 OCTA	1.8	3.3	6	IRSS 3306	
			8	IRSS 3308	
			10	IRSS 3310	
			12	IRSS 3312	
			14	IRSS 3314	
4.8 OCTA	1.8	4.1	6	IRSS 4106	
			8	IRSS 4108	
			10	IRSS 4110	
			12	IRSS 4112	
			14	IRSS 4114	
4.8 OCTA	1.8	4.8	6	IRSS 4806	
			8	IRSS 4808	
			10	IRSS 4810	
			12	IRSS 4812	
			14	IRSS 4814	
6.5 OCTA	1.8	4.8 (Wide)	6	IWSS 4806	
			8	IWSS 4808	
			10	IWSS 4810	
			12	IWSS 4812	
			14	IWSS 4814	

Surgical Guide
Color code ϕ 3.3 ϕ 4.1 ϕ 4.8 ϕ 4.8W

Fixture Size 2.8mm collar

(unit : mm)

Neck Diameter	Collar	Body Size ϕ	Insertion Depth	Code	
4.8 OCTA	2.8	3.3	6	IRAS 3306	
			8	IRAS 3308	
			10	IRAS 3310	
			12	IRAS 3312	
			14	IRAS 3314	
4.8 OCTA	2.8	4.1	6	IRAS 4106	
			8	IRAS 4108	
			10	IRAS 4110	
			12	IRAS 4112	
			14	IRAS 4114	
4.8 OCTA	2.8	4.8	6	IRAS 4806	
			8	IRAS 4808	
			10	IRAS 4810	
			12	IRAS 4812	
			14	IRAS 4814	
6.5 OCTA	2.8	4.8 (Wide)	6	IWAS 4806	
			8	IWAS 4808	
			10	IWAS 4810	
			12	IWAS 4812	
			14	IWAS 4814	







Surgical Guide
Color code



Cover Screw



(unit : mm)


Neck Diameter	Size	Code		
4.8 OCTA	Small	SCS S		
4.8 OCTA	Large	SCS L		
6.5 OCTA	Wide	SCS W		

- Cover Screws use the 1.27 HEX Driver.

Healing Abutment



(unit : mm)

Neck Diameter	Diameter ϕ	Height	Code		
4.8 OCTA	5.5	2	SHAR 502		
		3	SHAR 503		
		4	SHAR 504		
6.5 OCTA	7.5	2	SHAW 702		
		3	SHAW 703		

- Healing Abutments use the 1.27 HEX Driver.

Restoration Component

Precision Impression Coping

Regular	Open tray	SICS
	Closed tray	SICST 40
Wide	Open tray	SICS 60
	Closed tray	SICST 60

- Precision Impression Copings use the 1.27 HEX Driver.
- Supplied with Precision Impression Coping Guide Pin. (Product code : Open tray-NOICG / Closed tray-SICSTG)



Implant Analog

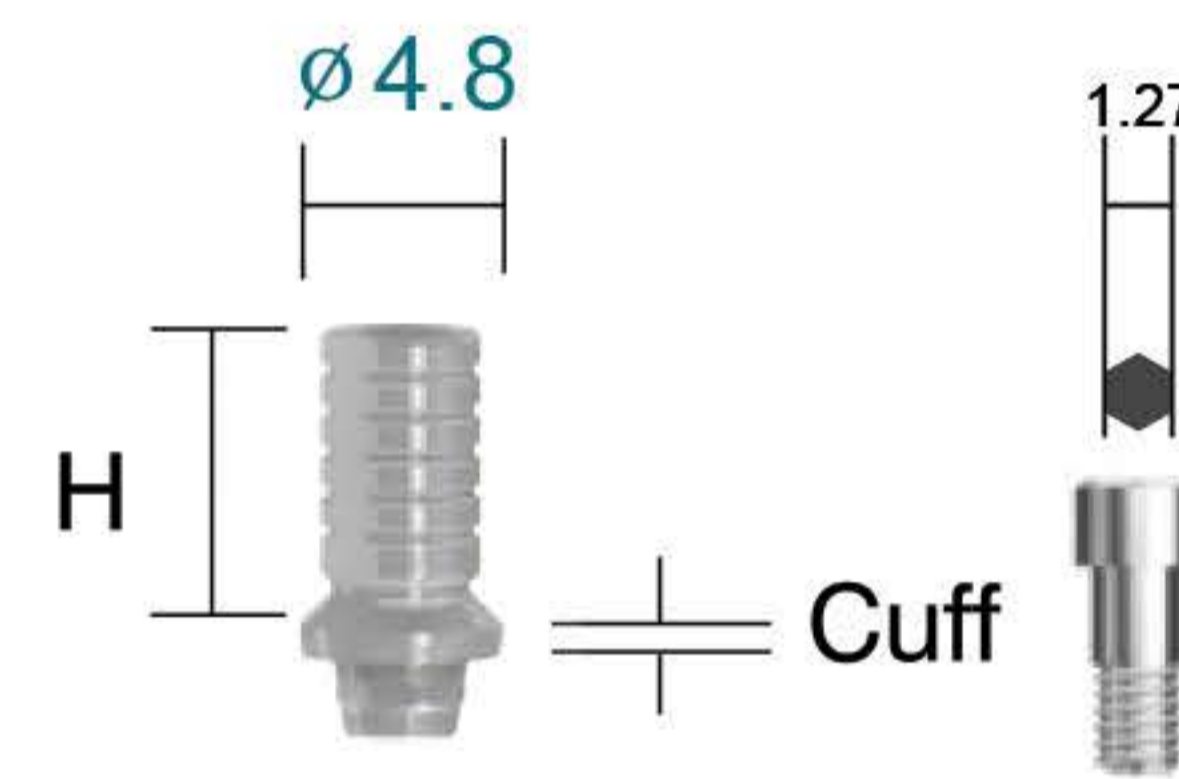
Regular	SLAS
Wide	SWAS



Temporary Abutment

(unit : mm)

Neck Diameter	Diameter ϕ	Cuff	Height	Code
4.8 OCTA	4.8	1	7	TAO 417
		3	7	TAO 437

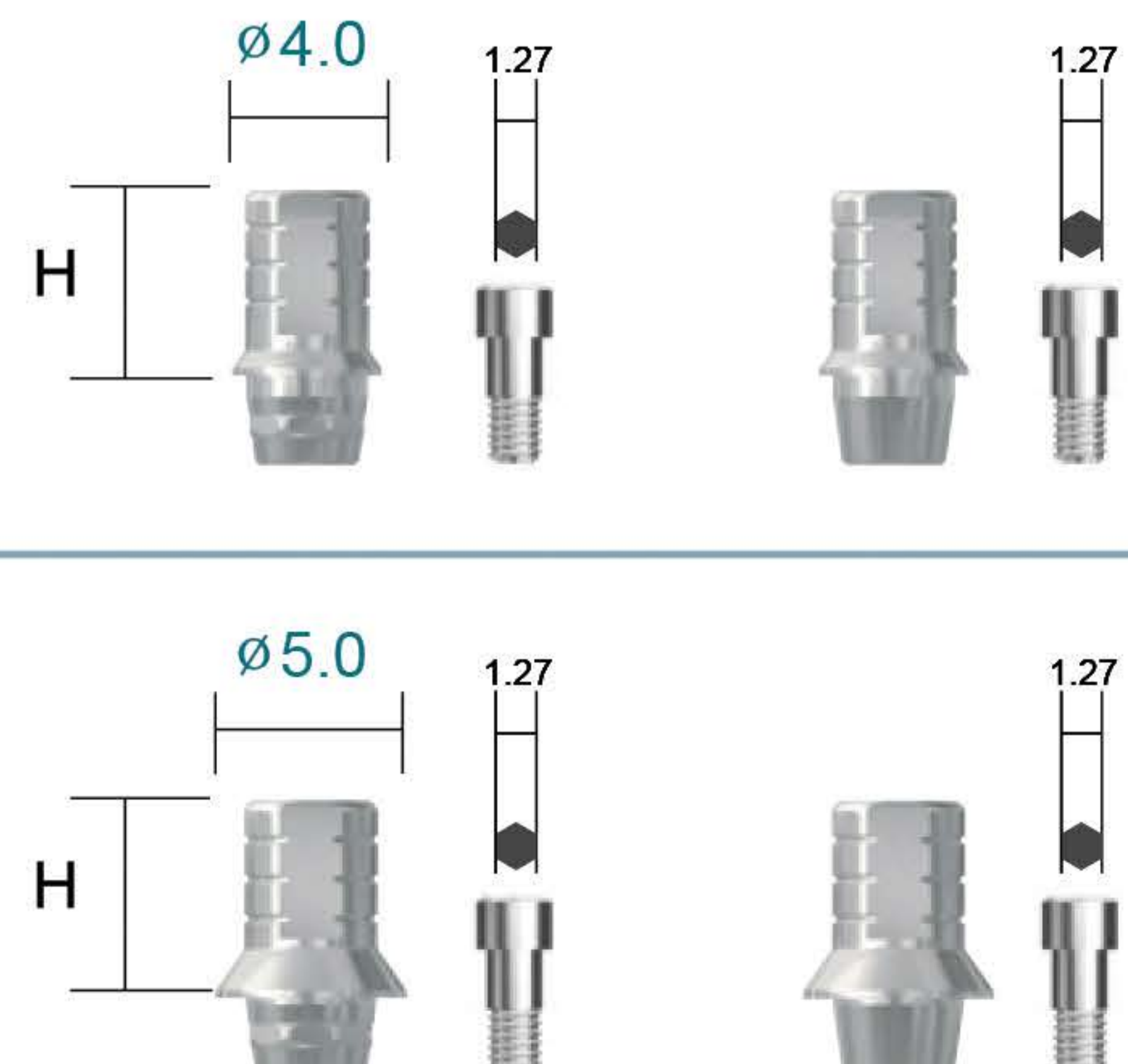


- Temporary Abutments use the 1.27 HEX Driver.
- Supplied with Angled Screw. (Product code : SAARS)
- We have Non-Octa type. (Product code : TAN)

EpDuo Link Abutment

(unit : mm)

Neck Diameter	Diameter ϕ	Type	Height	Code
4.8 OCTA	4.0	Crown	5	NEALK 405
		Bridge	5	NEALKN 405
4.8 OCTA	5.0	Crown	5	NEALK 505
		Bridge	5	NEALKN 505



- EpDuo Link Abutments use the 1.27 HEX Driver.
- Supplied with BestDuo Screw. (Product code : NOASL)

EpDuo Abutment

(unit : mm)

Neck Diameter	Diameter \varnothing	Cuff	Height	Code	
4.8 OCTA	5.5	0	5	NEA 505	
			7	NEA 507	
		1	5	NEA 515	
			7	NEA 517	
		2	5	NEA 525	
			7	NEA 527	
4.8 OCTA	6.5	0	5	NEA 605	
			7	NEA 607	
		1	5	NEA 615	
			7	NEA 617	
		2	5	NEA 625	
			7	NEA 627	



- EpDuo Abutments use the 1.27 HEX Driver.
- Supplied with BestDuo Screw. (Product code : NOASL)
- We have Non-Octa type. (Product code : NEAN)

Wide EpDuo Abutment

(unit : mm)

Neck Diameter	Diameter \varnothing	Height	Code	
6.5 OCTA	6.2	5	WNEA 605	
		7	WNEA 607	

- Wide EpDuo Abutments use the 1.27 HEX Driver.
- Supplied with BestDuo Screw. (Product code : NOASL)
- We have Non-Octa type. (Product code : WNEAN)

Angled Abutment

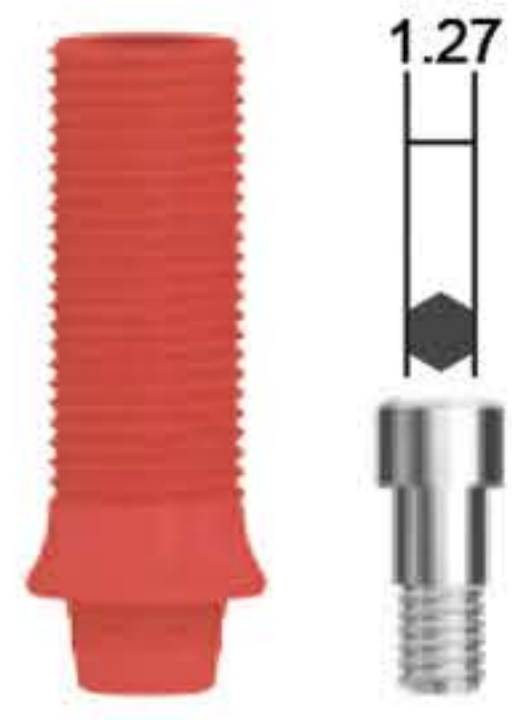

(unit : mm)

Neck Diameter	Angle	Code	
4.8 OCTA	15°	SAAR 15	
	25°	SAAR 25	



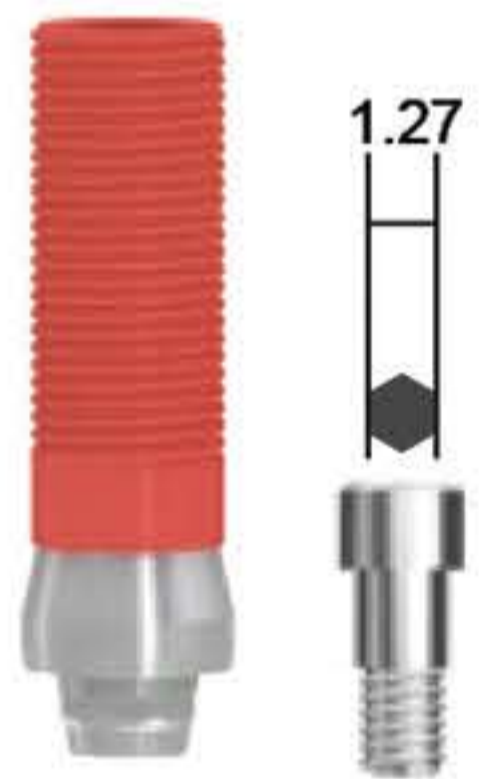
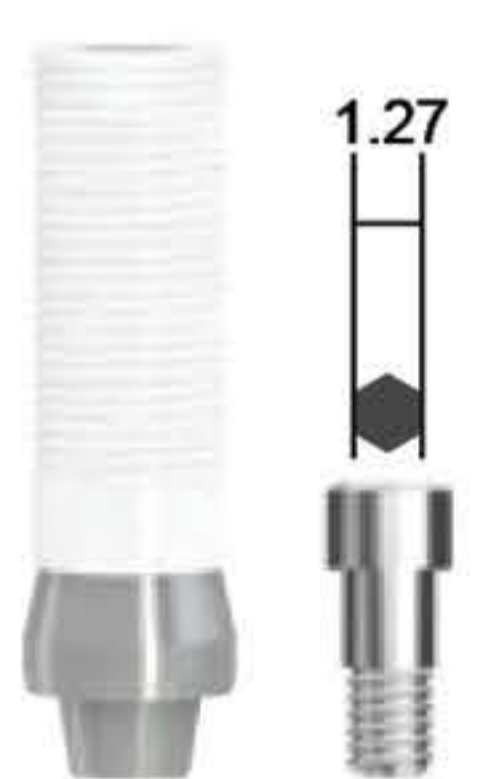
- Angled Abutments use the 1.27 HEX Driver.
- Supplied with Angled Screw. (Product code : SAARS)
- We have Non-Octa type. (Product code : SAARN)

Plastic Abutment

Neck Diameter	Type	Code	(unit : mm)
4.8 OCTA	Crown (Red)	PIU C	
	Bridge (White)	PIU B	

- Plastic Abutments use the 1.27 HEX Driver.
- Supplied with BestDuo Screw. (Product code :NOASL)



CCM Abutment

Neck Diameter	Type	Code	(unit : mm)
4.8 OCTA	Crown (Red)	EICU C	
	Bridge (White)	EICU B	

- CCM Abutments use the 1.27 HEX Driver.
- Supplied with BestDuo Screw. (Product code :NOASL)



Solid Abutment

Neck Diameter	Size	Height	Code	(unit : mm)
4.8 OCTA	Regular	3	SSAR 30	
		4	SSAR 40	
		5.5	SSAR 55	
		7	SSAR 70	
6.5 OCTA	Wide	4	SSAW 40	
		5.5	SSAW 55	

- Regular Solid Abutments use the Solid Driver. (Product code : SDS48/SDL48)
- Wide Solid Abutments use the Wide Solid Driver or 1.27 HEX Driver.
- Supplied with Solid Protective Cap. (Product code : PSC)

Solid Abutment

Solid Impression Cap

Regular $\varnothing 4.8$	PIC 40
Wide $\varnothing 6.5$	PIC 60



Solid Positioning Cylinder

Regular $\varnothing 4.8$	PPC 40
Wide $\varnothing 6.5$	PPC 60



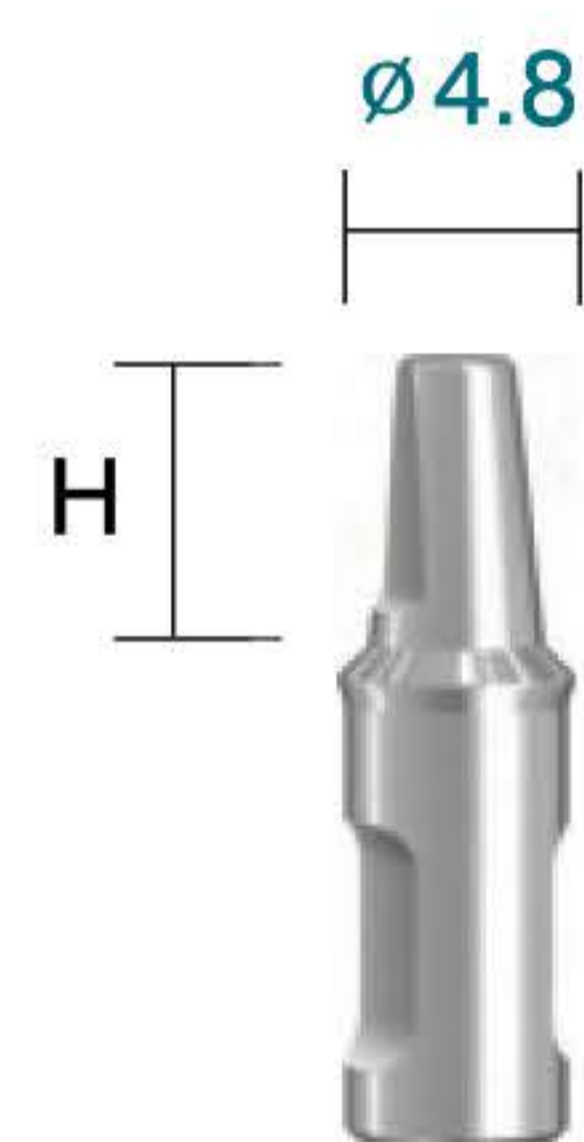
Solid Coping

Crown (Red)	PSCC
Bridge (White)	PSCB



Solid Analog

Regular $\varnothing 4.8$	3	SSLA 30
	4	SSLA 40
	5.5	SSLA 55
	7	SSLA 70
Wide $\varnothing 6.5$	4	SWLA 40
	5.5	SWLA 55



Shoulder Analog & Pin

Regular $\varnothing 4.8$	PSA 40
Wide $\varnothing 6.5$	PSA 60



Octa Abutment



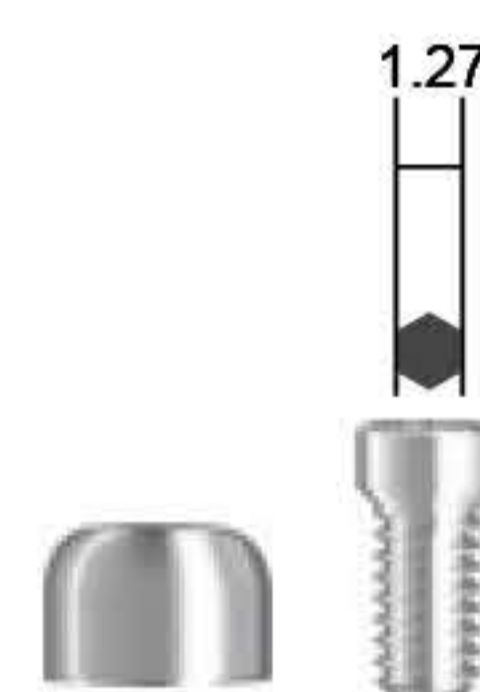
(unit : mm)

Neck Diameter	Code	
4.8 OCTA	SOA	

- Octa Abutments use the Octa Driver.

Octa Protective Cap

SHC



- Octa Protective Cap use the 1.27 HEX Driver.
- Supplied with Octa Protective Cap Screw. (Product code : SHCS)

Octa Impression Coping

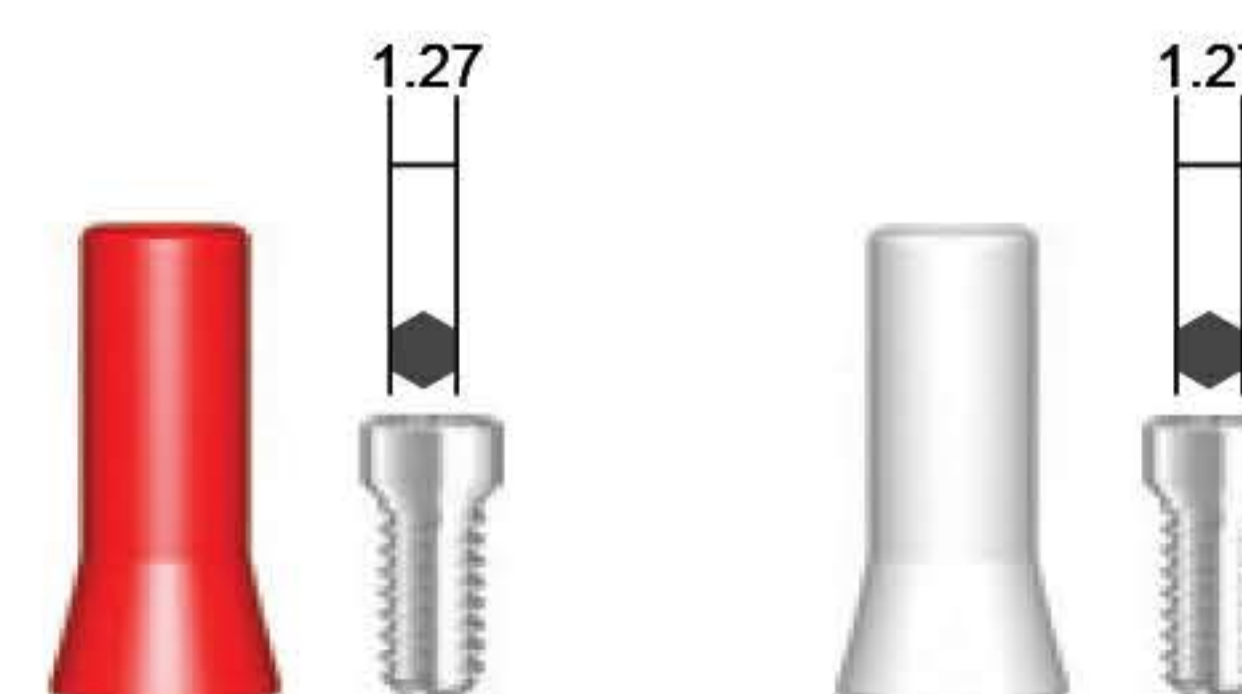
Crown	SICO
Bridge	SICN



- Octa Impression Copings use the 1.27 HEX Driver.
- Supplied with Octa Impression Coping Guide Pin. (Product code : SICG10)

Octa Plastic Cylinder

Crown (Red)	POCC
Bridge (White)	POCB



- Octa Plastic Cylinders use the 1.27 HEX Driver.
- Supplied with Octa Protective Cap Screw. (Product code : SHCS)

Octa Analog

SLAOS
SLAOL



Evidence

based implantology

ANVARI_EVIDENCE_IMPLANT

WWW.EVIDENCEIMPLANT.IR

0991 201 68 95
0919 759 84 99

EVIDENCE_IMPLANT

4th Floor, No.55, Mirza Babaei St.,
Poonak Sq, Tehran, Iran
Postal code: 1476863831

Navidsalamatmanaa@gmail.com

The infographic is a circular arrangement of segments. At the center is a QR code. Surrounding it are segments containing: a green segment with the Instagram handle 'ANVARI_EVIDENCE_IMPLANT' and an Instagram icon; a dark blue segment with the website 'WWW.EVIDENCEIMPLANT.IR' and a globe icon; a teal segment with two phone numbers and a telephone icon; a dark blue segment with the handle 'EVIDENCE_IMPLANT' and a paper plane icon; a light blue segment with a location pin icon; a blue segment with an email address and an envelope icon; and a blue segment with the full address and postal code. A light blue segment with a location pin icon is also present.

